

## Flexy Compact

Tempered glass top on cupboard (3GN)  
 with overshelf with LED lights, H=900mm

ITEM # \_\_\_\_\_

MODEL # \_\_\_\_\_

NAME # \_\_\_\_\_

SIS # \_\_\_\_\_

AIA # \_\_\_\_\_


**322085 (F04H3AF01W)**

Tempered glass top on cupboard (3 GN container capacity) with overshelf with LED lights and one stainless steel tubular tray slider on customer side, H=900mm

### Short Form Specification

#### Item No.

Compact design, ideal for space saving environments. Stainless steel tubular tray slider on customer side. Unit mounted on 150 mm high feet. Soft closing doors on operator side. Underneath ambient cupboard with doors. L type AISI 304 overshelf equipped with LED lights designed for extra increased visibility on the surface for charming food display. Sleek, minimalist glass structure, food and dust does not get trapped and easy to clean. Semi closed glass on customer side for self service. Sturdy body construction with laminated panelings on 4 sides. Designed to serve the food in plates, casseroles, pans. Electronic overheating protection. Digital control with temperature display with precise adjustment (0,1°C). Fully compliant HACCP digital controls include visible alarms. Special design etched foil heating elements to maximize heat transmission on the surface for having the same temperature on the whole surface. Ideal for elegant buffet to display warm food, such as pizza, bun, etc. thanks to the extended surface top. It comes with stylish black coloured tempered heated glass with integrated etched foil elements and stainless steel framed. AISI 304 Stainless steel frame with rounded corners to facilitate cleaning operations. Heating elements connected to the bottom include safety thermostat. Food introduced at the correct temperature maintains its core temperature according to Afnor Standards. 900mm worktop height.

### Main Features

- Electronic overheating protection.
- Precise temperature control and setting at 0,1°C .
- As standard the product comes with digitally controlled thermostat which is in line of HACCP norms and provides visual alarm as a warning of the increasing or decreasing temperatures.
- Available drop-in dimensions: 1, 2, 3, 4, 5, 6 GN.
- Designed to serve the food in plates, casseroles, pans
- It comes with stylish black coloured tempered heated glass with integrated etched foil elements and stainless steel framed.
- Special design etched foil heating elements to maximize heat transmission on the surface for having the same temperature on the whole surface.
- Ideal for elegant buffet to display warm food, such as pizza, bun, etc. thanks to the extended surface top.
- CB and CE certified by a third party notified body.
- Tray slider in tubular stainless steel is installed on the customer side and it can also be folded down to facilitate passage of the units through doorways.
- Ideal for servery lines with an operator.
- Unit mounted on 150 mm high feet.
- Soft closing doors on operator side.
- Underneath ambient cupboard with doors ideal for extra storage.
- Available options with online configurator: colors, tray sliders, overshelves, feet/wheels with desired diameter, height 750mm for kids.
- Stylish L type overshelf designed for extra increased visibility on the surface for charming food display.
- Overshelf equipped with LED lights.
- Optional plinth can be installed to cover the feet or the wheels.
- Perfect compact design makes it ideal for space saving environments.
- Food introduced at the correct temperature maintains its core temperature according to Afnor Standards.
- Available dimensions: 2, 3, 4 GN.
- Thanks to the sleek, minimalist glass structure, food and dust does not get trapped and the cleaning is made easier.

### Construction

- Electronic control with temperature display.
- AISI 304 Stainless steel frame with rounded corners to facilitate cleaning operations
- Overshelf in complete AISI 304.
- Top in AISI 304.
- Sturdy construction with laminated panelings on 4 sides.
- Heating elements connected to the bottom include safety thermostat.

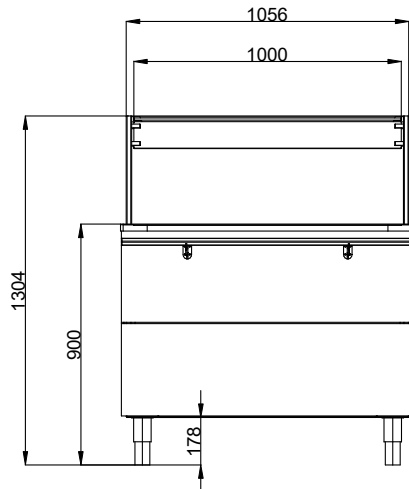
APPROVAL: \_\_\_\_\_



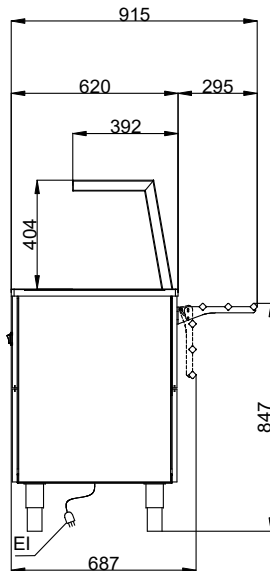
**Electrolux**  
PROFESSIONAL

## Flexy Compact Tempered glass top on cupboard (3GN) with overshelf with LED lights, H=900mm

Front

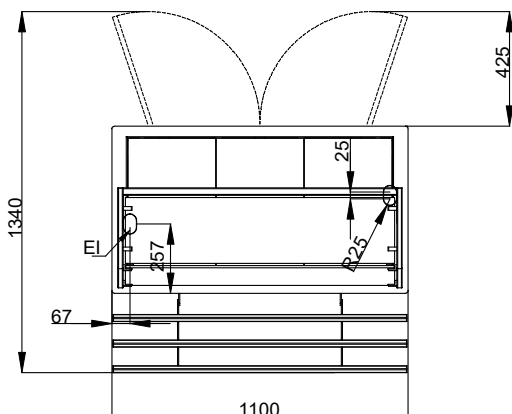


Side



EI = Electrical inlet (power)

Top



### Electric

Supply voltage:

322085 (F04H3AF01W)

220-240 V/1N ph/50/60 Hz

Electrical power max.:

0.91 kW

### Key Information:

N° of doors:	1
External dimensions, Width:	1100 mm
External dimensions, Depth:	915 mm
External dimensions, Height:	1304 mm
Net weight:	102.5 kg
Shipping height:	1400 mm
Shipping width:	730 mm
Shipping depth:	1200 mm
Shipping volume:	1.23 m <sup>3</sup>
Set temperature:	+105 / +115 °C
Top temperature:	+105 / +115 °C

### Sustainability

Noise level: 0 dBA



Flexy Compact  
Tempered glass top on cupboard (3GN) with overshelf with LED lights,  
H=900mm  
The company reserves the right to make modifications to the products  
without prior notice. All information correct at time of printing.

2024.04.09